

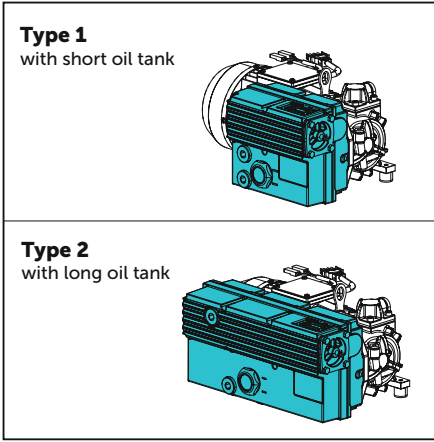
BETRIEBSANLEITUNG
OPERATING INSTRUCTIONS
INSTRUCCIONES DE SERVICE
ISTRUZIONI D'USO
HANDLEIDING
INSTRUCCIONES PARA EL MANEJO
MANUAL DE INSTRUÇÕES
NAUDOJIMOSI INSTRUKCIJA
KASUTUSJUHEND
LIETOŠANAS INSTRUKCIJA
DRIFTSINSTRUKS
DRIFTSINSTRUKTIONER
DRIFTSVEJLEDNING
INSTRUKCJA OBSŁUGI

KEZELÉSI ÚTMUTATÓ
NÁVOD K OBSLUZE
NAVODILO ZA UPORABO
NÁVOD NA OBSLUHU
UPUTE ZA RAD
MANUAL DE OPERATII
TREORACHA OIBRIÚCHÁIN
ΟΔΗΓΙΕΣ ΧΡΗΣΗΣ
EL KITABI
ИНСТРУКЦИИ ЗА ЕКСПЛОАТАЦИЯ
ИНСТРУКЦИЯ ПО ЕКСПЛОАТАЦИИ
取扱説明書
사용설명서
使用说明书

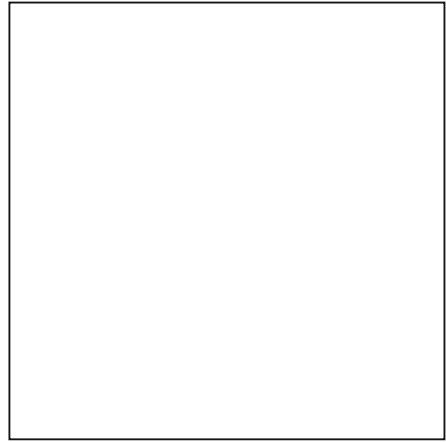
0 5.16


MAKE IT BECKER.






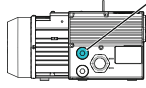
1



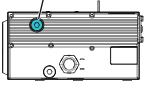





Becker Lube
M/S/SL 32
M/S/SL/SM 68




Type 1





Type 2







AIR

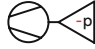









2



MAX. VACUUM

BECKER	No	year
type	Hz	
frequency	min ⁻¹	
speed	min ⁻¹	
power required	kW	
inlet capacity	m ³ /h	
max. vacuum	MAX. VACUUM	mbar

Made in Germany



MAX.


BECKER	No	year
type	Hz	
frequency	min ⁻¹	
speed	min ⁻¹	
power required	kW	
inlet capacity	MAX. V	m ³ /h
max. vacuum	mbar	


Made in Germany


DIN EN ISO 11203
Accuracy Class 2
K_{pA} = 3 dB(A)
I ← 1m

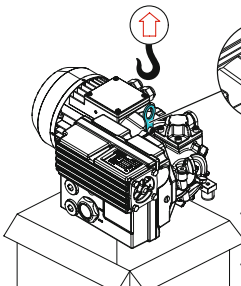
L_{pA} = 60,5 dB(A) - 50Hz
L_{pA} = 67 dB(A) - 60Hz
K_{pA} = 3 dB(A)

3











Type 1

Type 2



18 kg
40 lbs
19,5 kg
43 lbs

4

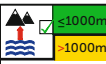


> 5°C/41°F
< 40°C/104°F

Avoid condensation



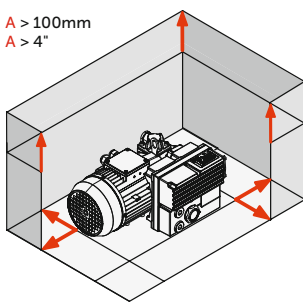
max. 90%




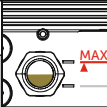

≤1000m
-1000m

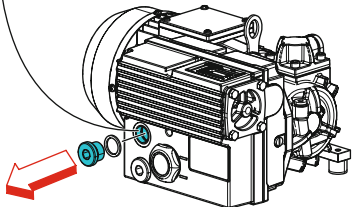
Please consult
BECKER

A > 100mm
A > 4"


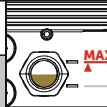



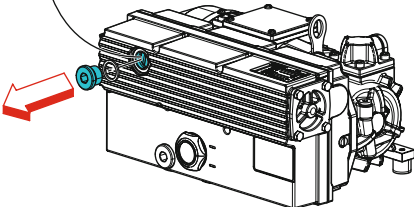
5

	Type 1 0.3 Liter		
---	---------------------	---	---


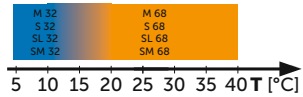




6

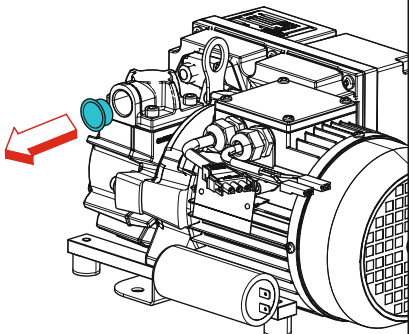
	Type 2 0.5 Liter		
---	---------------------	---	---



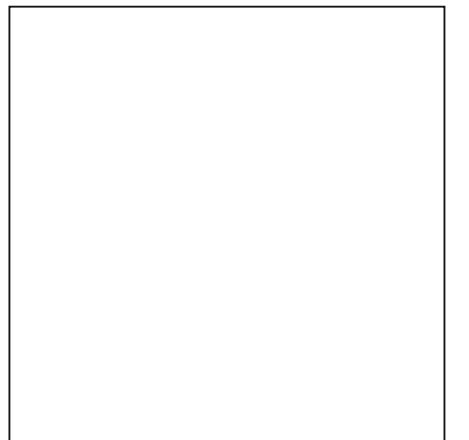
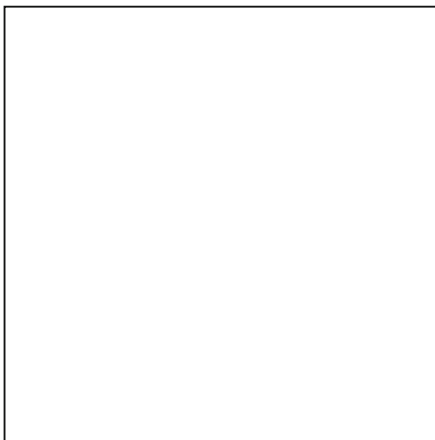
7

	Ambient temperature
	
	
Becker Lube M 32 0.25 l 96001700025	Becker Lube M 68 1 l 96002300300 5 l 96002300400
Becker Lube S 32 0.25 l 96000320025 0.5 l 96000320050	Becker Lube S 68 1 l 96002300500 5 l 96002300600
Becker Lube SL 32 1 l 96002300901 5 l 96002301001	Becker Lube SL 68 1 l 96002300701 5 l 96002300801
Becker Lube SM 32 1 l 96003700501 5 l 96003700601	Becker Lube SM 68 1 l 96003700101 5 l 96003700201

8



9



Electrical connection

Mate-N-Lok Faston F 6.3

N PE L Capacitor

1 ph

10

BECKER

Mat.Nr. XXXXXX 3-Mot. XXXXXXXX ENXXXX CE

NOU9L-XXXXXXX-XX

50 Hz	XXkW	60 Hz	XXkW
XXX-XXX / XXX-XXX V Δ / Y		XXX-XXX / XXX-XXX V Δ / Y	
XXX-XXX / XXX-XXX A		XXX-XXX / XXX-XXX A	
XXX-XXX-XXX min		XXX-XXX-XXX min	

XXX kg

11

MAX. 12x /h

ON

OFF

12

Standard ≤ 2m	1/2"	O 5.21
> 2m...10m	3/4"	

VACUUM

13

Maintenance

BECKER


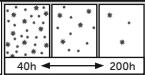

14

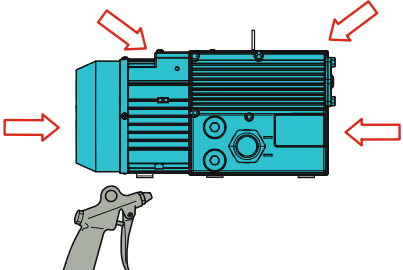
OFF

n=0min⁻¹




1 Min

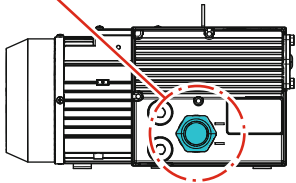
15

		
40 - 200 h	AMBIENT AIR ?	EN149 - FFP3 42 CFR 84 - N100






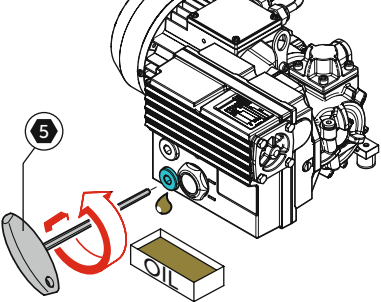
16

MAX ↓ MIN ↑		 < MIN
40 h		






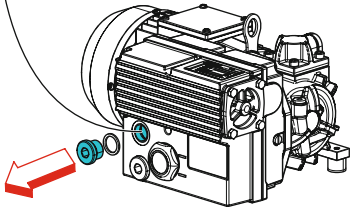
17

1. = 500 h 2. = 2000 h 3. = 4000 h ▶ (min. 2x/a)			
	OIL	20 Min	


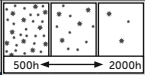




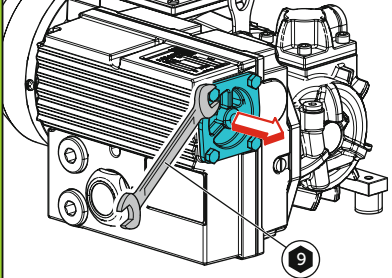
18

	Type 1 0.3 Liter	
Becker Lube M/S/SL 32	Type 2 0.5 Liter	
M/S/SL 68	MAX ↑	

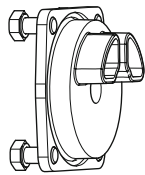
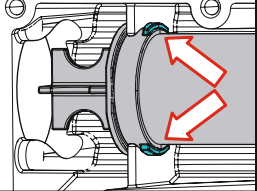
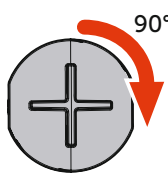


19

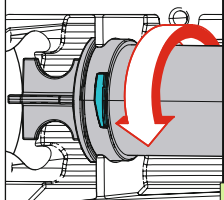
		
MAX 2000 h	INTAKE AIR ?	



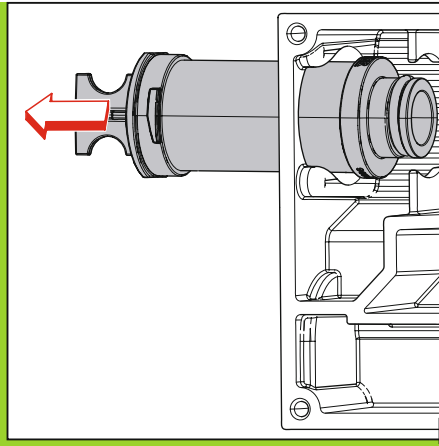
20

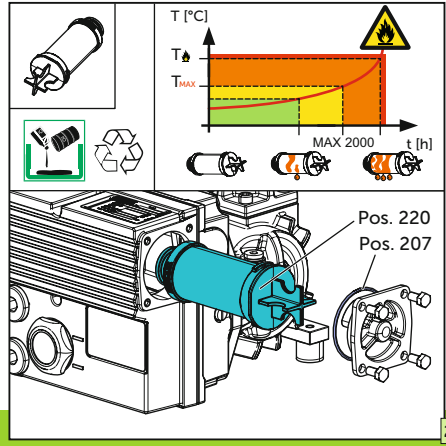
90°



21



22



23



24



WWW.BECKER-INTERNATIONAL-SHOP.COM

Gebr. Becker GmbH
Hoelker Feld 29-31
42279 WUPPERTAL
GERMANY
info@becker-international.com
www.becker-international.com





2810064200 | 2021-01-13 | All rights reserved

MAKE IT BECKER.